



## TRAFFIC CONTROL CABINETS

# 38 inch Cabinet

*Novax Traffic Control Cabinets are well-known for durability, ruggedness, compatibility and workmanship. Available in a variety of sizes, Novax cabinets can be supplied with custom finishes that enhance the urban landscape. The “ORCA” finish shown is one of several custom finish options available for all cabinets.*

*Novax can configure any cabinet with all the necessary equipment for a particular location, minimizing procurement and implementation complications. Whether you need a single replacement cabinet or a complete overhaul for an entire municipality, Novax has the experience and expertise to handle all your traffic cabinet requirements.*



## Specifications

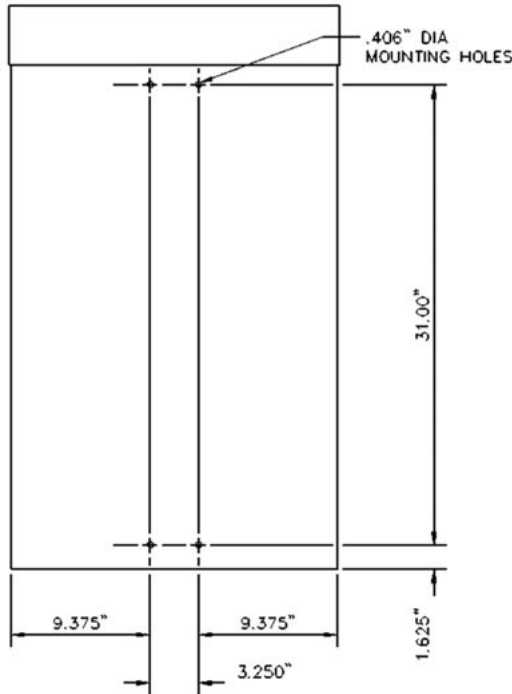
- Two keys supplied with locks
- Treated neoprene closed cell gasket
- Police panel accepts the following switches:
  - Signals on / off
  - Auto / Flash
  - Manual Control Switches
- Accepts 6 to 10 switch pack modules
- Provision for several shelves
- Convenience Receptacle available
- Courtesy Lamp available
- Fan on thermostat available
- Heater on thermostat available
- With or without external venting
- Overhang over main door with gutter
- Sloped cabinet roof

- Cabinet Base available
- Bottom bolt pattern per customer request
- Stainless Steel pole-mount hardware
- Vandal-Proof door mounting
- Six-inch handle with padlock provision
- Zinc-plated door locking mechanism
- Standard main door locks
- Standard door-in-door lock (police panel)
- Well-known NOVAX workmanship!
- Suitable for base, pedestal or pole-mount
- Size: 38" H ´ 22" W ´ 16" D
- Material: Marine alloy aluminum 5052
- Finish: Zinc-chromate primer with polyurethane finish
- Colour: Per Customer Specifications

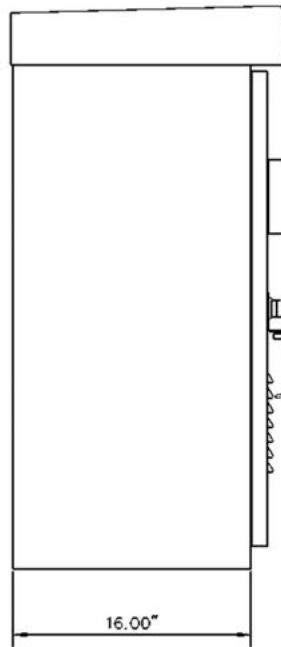
TRAFFIC CONTROL CABINETS

# 38 inch Cabinet

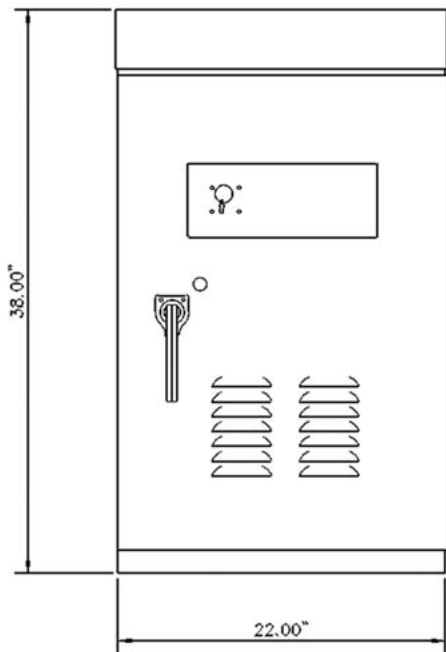
CABINET REAR VIEW



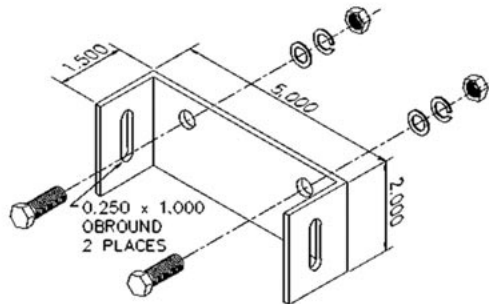
CABINET LEFT SIDE VIEW



CABINET FRONT VIEW



OPTIONAL MOUNTING HARDWARE



MOUNTING BRACKET  
MATERIAL: STAINLESS STEEL

**NOTES:**

- 1) ABOVE HARDWARE CAN BE PROVIDED BY NOVAX FOR INSTALLATION BY THE CUSTOMER.

Products may not be exactly as shown.

**NOVAX INDUSTRIES CORPORATION**  
658 Derwent Way, New Westminster, BC, Canada V3M 5P8  
Tel: 604.525.5644 Fax: 604.525.2739  
E-mail: general@novax.com