



Novax Pedestal UPS (401-332 Style)

In today's world of constant traffic throughout the day, keeping signalized intersections in operation is no longer a luxury, it's become a safety necessity. Novax, in cooperation with Alpha Technologies has introduced a unique line of advanced Uninterruptible Power Supply systems (UPS) specifically for traffic applications.

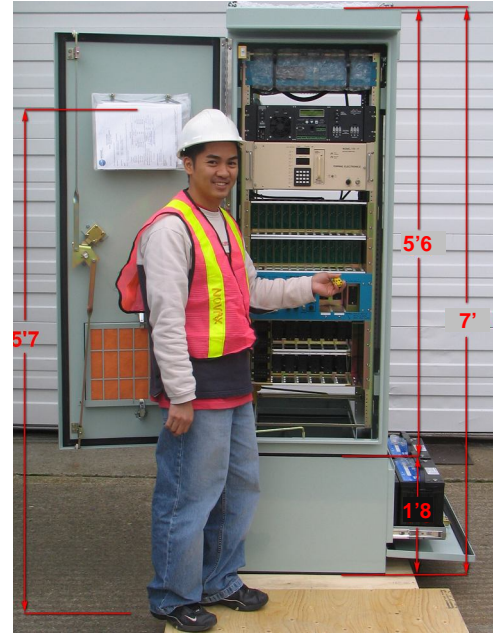
Novax has built on its well earned reputation for quality and reliable operation by designing a UPS system that complements traffic signal controller cabinets installations. Novax's UPS Pedestal is equally easy to install concurrently with new cabinet installation or retrofitted into existing installations.

The Novax UPS Pedestal will keep traffic signal controllers and LED traffic signal heads in operation for many hours in the event of power failures. Batteries are located in a convenient pedestal drawer. Wire guides protect all wiring entering the cabinet from the base. The unique design of the Novax UPS Pedestal utilizes the weight of the batteries to increase cabinet stability.

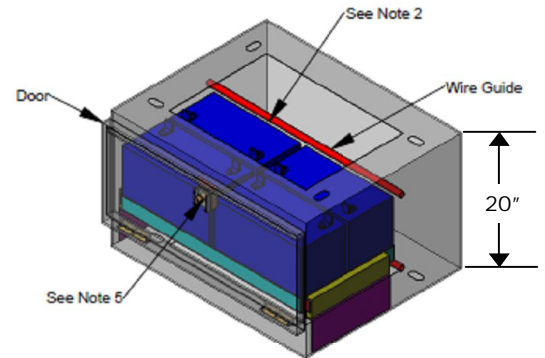
The Novax UPS Pedestal includes:

- Battery drawer with traffic controller cabinet keyed lock
 - Designed for a maximum weight of 300lbs
 - Protective caps cover battery terminals
- Battery heater pad
- Up to four Alpha-Cell 180 GXL batteries
- Alpha Technologies Novus FXM 1100 UPS Power Module
 - 1100 W/VA output
 - -40 to 55°C operating temperature
 - Remote communications capability

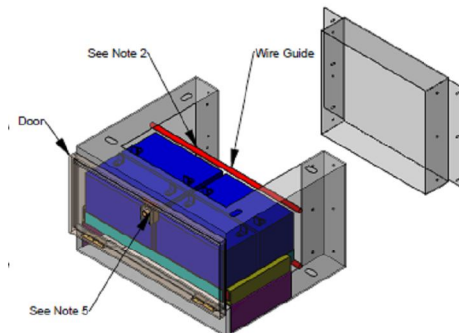
In addition to providing clean uninterruptible backup power the Novax UPS Pedestal offers wide-ranging Automatic Voltage Regulation (AVR) for all in-cabinet equipment.



Novax Pedestal UPS with 332 style cabinet.



New installation Novax UPS Pedestal



Retrofit installation Novax UPS Pedestal

Novax Industries Corporation

202 – 1525 Cliveden Avenue
Delta, BC
V3M 6L2

Tel: 604.525.5644
Fax: 604.525.2739
Toll Free: 1.866.977.4277

www.novax.com