

# Model 401-P, Pole Mount FTMS Cabinet

## 401-P Cabinet Features

- Material: 1/8 (3mm) 5052-H32 marine grade aluminum.
- Polyester powder painted per "OTSCES. Specifications, Chapter 14, Section 2.1 to 2.3".
- Cabinets built to NEMA 3R Rating.
- Crowned roof with gutter equipped overhang over front door.
- Interior cabinet walls covered with Styrofoam insulation (same as 401C and D cabinets).
- Two vandal proof doors c/w treated neoprene closed cell gasket around doors.
- Removable door filter
- Three-point latching mechanism.
- Door opens to 180 Degrees.
- Standard FTMS / ATMS Door Locks.
- Heavy duty, handle with provision for padlock.
- Pole mount hardware included.
- Fan and heater assemblies.
- Includes: Model -500D thermostat assembly.
- Trouble Lamp.
- Optional 25-Watt LED Bulb (2550 Lumens)
- Pre-punched knockouts provided on bottom of cabinet for conduit.
- Service and Maintenance Manual c/w drawing pouch
- Optional EZ Router can be added for antenna access interface
- 19 Inch EIA Rack
- Shelves supplied for controller unit
- Optional Pull-out Laptop / Drawing Storage shelf per Caltrans
- Optional 19" Rack Mount Din Rail Adjustable Mounting Panel



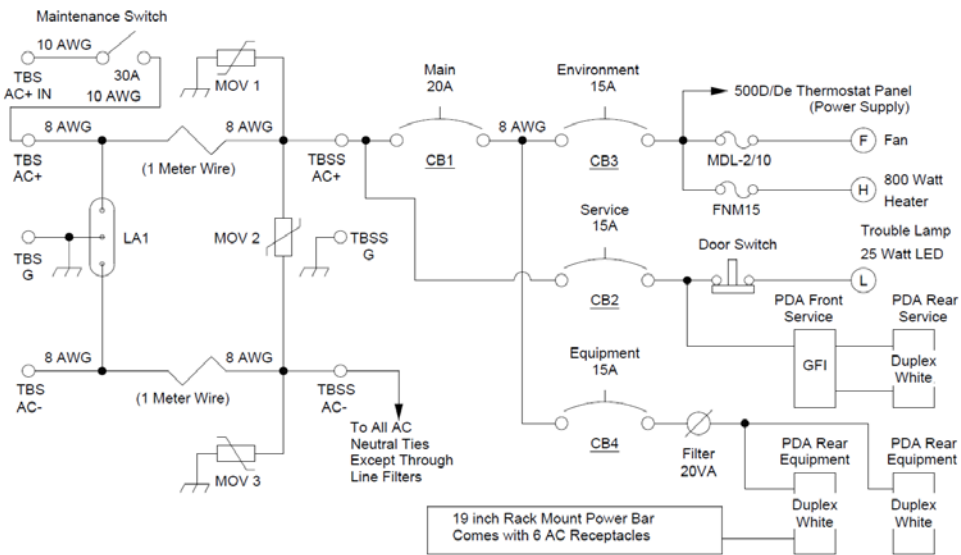
## Electrical Specifications

- Power: 95-135 VAC
- 30A maintenance switch is provided on service panel
- Service panel provided with transient and lightning protection
- Power distribution assembly (PDA)
  - 20A Main Breaker,
  - 15A Service Breaker
  - 15A Environment Breaker
  - 15A Equipment Breaker
  - 2 Filtered Duplex receptacles for equipment.
  - 2 Service duplex receptacles
- 19" Rackmount Power Bar for Equipment (6 Receptacles) on Rear EIA Rack

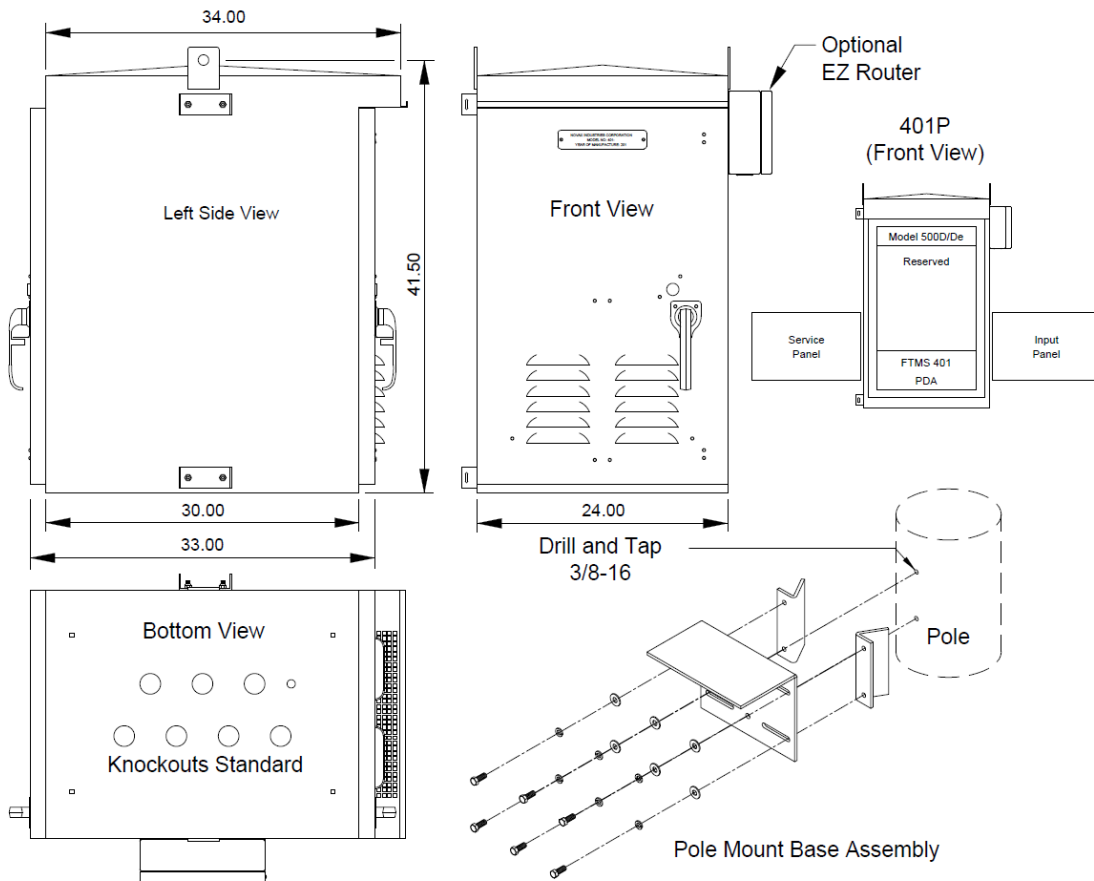
### NOVAX INDUSTRIES CORPORATION

202-1525 Cliveden Ave., Delta, BC Canada V3M 6L2 Tel: (604) 525-5644 Fax: (604) 525-2739  
[info@novax.com](mailto:info@novax.com) [www.novax.com](http://www.novax.com)

## 401-P, Cabinet One Line Diagram



## 401-P, Cabinet Mechanical Details



### NOVAX INDUSTRIES CORPORATION

202-1525 Cliveden Ave., Delta, BC Canada V3M 6L2 Tel: (604) 525-5644 Fax: (604) 525-2739  
[info@novax.com](mailto:info@novax.com) [www.novax.com](http://www.novax.com)